

Fig. 1

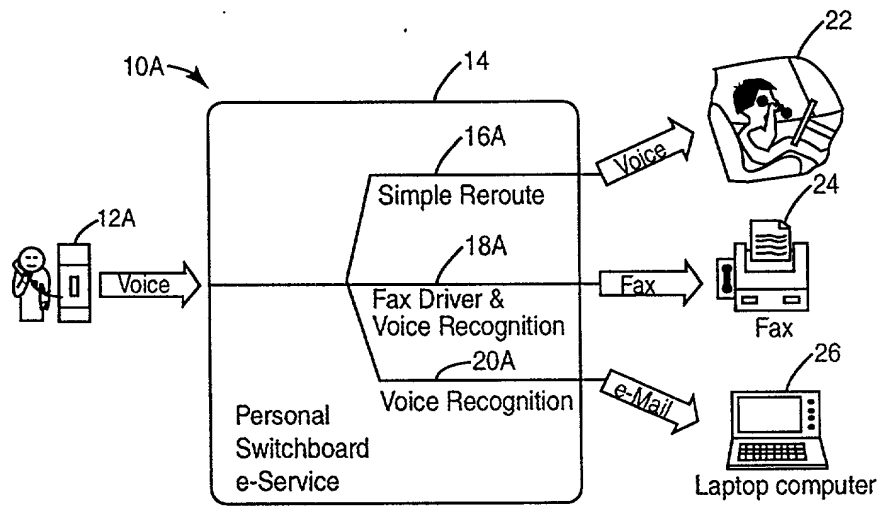


Fig. 2A

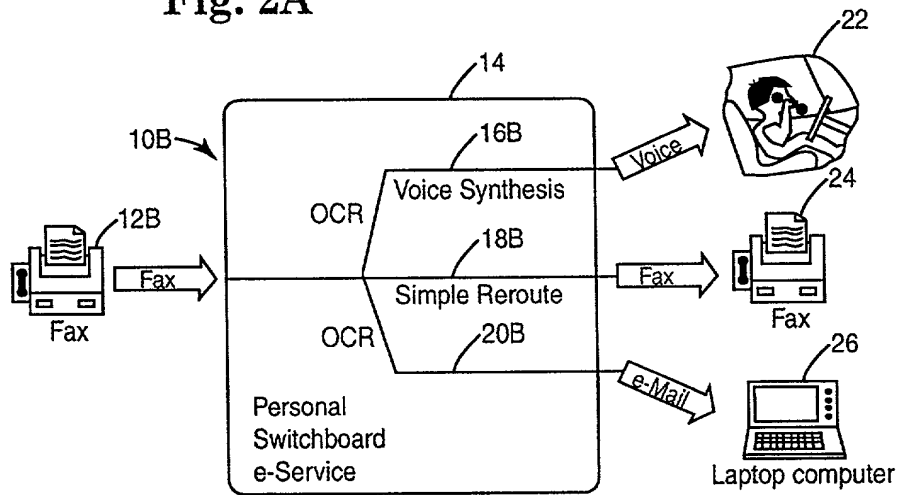


Fig. 2B

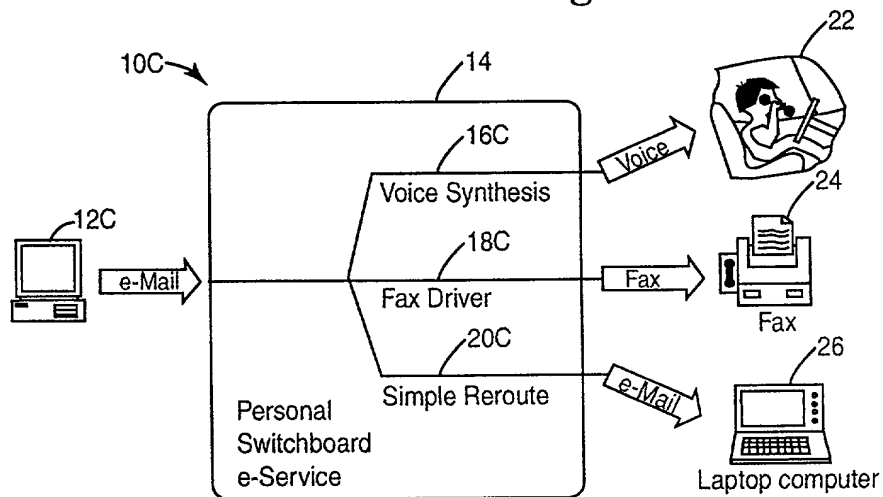


Fig. 2C

Incoming Voice Phone/Voice Mail Number	1-888-555-1111	32
Incoming Fax Phone Number	1-888-555-2222	34
Incoming e-mail address	John_Smith@switchboard.com	36

Fig. 3

40A

John Smith can be reached at the following:			
Outgoing Voice Phone/ Voice Mail number	1-111-555-3333	54	
Outgoing Fax Number	1-111-555-4444	56	
Optional Pager Number	1-111-555-5555	58	
Outgoing e-Mail Address	Jons_Smith@Wahoo.com	60	
When someone tries to reach me, take the following actions:			
46 If someone calls my Incoming Voice Phone/Voice Mail Number:	<input checked="" type="radio"/>	Forward the call directly to my Outgoing Voice Phone/ Voice Mail Number.	62A
	<input type="radio"/>	Save the message and page me at my pager number.	62B
	<input type="radio"/>	Convert the message to a fax and fax it to me at my outgoing fax number.	62C
	<input type="radio"/>	Convert the message to an e-mail and send it to my outgoing e-mail address.	62D
44 48 If someone calls my Incoming Fax Number:	<input type="radio"/>	Forward the call directly to my Outgoing Fax Number.	62E
	<input type="radio"/>	Save the message and page me at my pager number.	62F
	<input checked="" type="radio"/>	Convert the fax to an e-mail and send it to my outgoing e-mail Address.	62G
	<input type="radio"/>	Convert the message to voice and call me at my Outgoing Voice Phone/ Voice Mail Number.	62H
50 If someone sends an e-mail to my Incoming e-mail Address:	<input type="radio"/>	Forward the e-mail directly to my Outgoing e-Mail Address.	62I
	<input type="radio"/>	Save the message and page me at my pager number.	62J
	<input type="radio"/>	Convert the message to a fax and fax it ot me at my Outgoing Fax Number.	62K
	<input checked="" type="radio"/>	Convert the message to voice and call me at my Outgoing Voice Phone/Voice Mail number.	62L

Fig. 4A

From : 7/1/00		To: 7/14/00	
From : 9 a.m.		To: 5 p.m.	
John Smith can be reached at the following:			
Outgoing Voice Phone/ Voice Mail number		None	
Outgoing Fax Number		(Japan) 03 333-1111	
Optional Pager Number		None	
Outgoing e-Mail Address		None	
When someone tries to reach me, take the following actions:			
If someone calls my Incoming Voice Phone/Voice Mail Number:	<input type="radio"/>	Forward the call directly to my Outgoing Voice Phone/ Voice Mail Number.	62A
	<input type="radio"/>	Save the message and page me at my pager number.	62B
	<input checked="" type="radio"/>	Convert the message to a fax and fax it to me at my outgoing fax number.	62C
	<input type="radio"/>	Convert the message to an e-mail and send it to my outgoing e-mail address.	62D
If someone calls my Incoming Fax Number:	<input checked="" type="radio"/>	Forward the call directly to my Outgoing Fax Number.	62E
	<input type="radio"/>	Save the message and page me at my pager number.	62F
	<input type="radio"/>	Convert the fax to an e-mail and send it to my outgoing e-mail Address.	62G
	<input type="radio"/>	Convert the message to voice and call me at my Outgoing Voice Phone/ Voice Mail Number.	62H
If someone sends an e-mail to my Incoming e-mail Address:	<input type="radio"/>	Forward the e-mail directly to my Outgoing e-Mail Address.	62I
	<input type="radio"/>	Save the message and page me at my pager number.	62J
	<input checked="" type="radio"/>	Convert the message to a fax and fax it of me at my Outgoing Fax Number.	62K
	<input type="radio"/>	Convert the message to voice and call me at my Outgoing Voice Phone/Voice Mail number.	62L

Fig. 4B

From : 7/1/00		To: 7/14/00	
From : 9 a.m.		To: 5 p.m.	
John Smith can be reached at the following:			
Outgoing Voice Phone/ Voice Mail number		1-111-870-1234	
Outgoing Fax Number		None	
Optional Pager Number		None	
Outgoing e-Mail Address		None	
When someone tries to reach me, take the following actions:			
If someone calls my Incoming Voice Phone/Voice Mail Number:	<input checked="" type="radio"/>	Forward the call directly to my Outgoing Voice Phone/ Voice Mail Number.	
	<input type="radio"/>	Save the message and page me at my pager number.	
	<input type="radio"/>	Convert the message to a fax and fax it to me at my outgoing fax number.	
	<input type="radio"/>	Convert the message to an e-mail and send it to my outgoing e-mail address.	
If someone calls my Incoming Fax Number:	<input type="radio"/>	Forward the call directly to my Outgoing Fax Number.	
	<input type="radio"/>	Save the message and page me at my pager number.	
	<input type="radio"/>	Convert the fax to an e-mail and send it to my outgoing e-mail Address.	
	<input checked="" type="radio"/>	Convert the message to voice and call me at my Outgoing Voice Phone/ Voice Mail Number.	
If someone sends an e-mail to my Incoming e-mail Address:	<input type="radio"/>	Forward the e-mail directly to my Outgoing e-Mail Address.	
	<input type="radio"/>	Save the message and page me at my pager number.	
	<input type="radio"/>	Convert the message to a fax and fax it of me at my Outgoing Fax Number.	
	<input checked="" type="radio"/>	Convert the message to voice and call me at my Outgoing Voice Phone/Voice Mail number.	

Fig. 4C